

## Printer Tour

This topic includes:

- "Printer Features" on page 1-2
- "Available Configurations" on page 1-3
- "Front View" on page 1-4
- "Side View" on page 1-4
- "Back View" on page 1-4
- "Top View" on page 1-5
- "Printer Options and Upgrades" on page 1-5
- "Color" on page 1-6
- "Resources" on page 1-6

## Printer Features

The Phaser 8400 Color Printer embodies many features to meet your printing needs:

- Great performance and superior print quality
  - 24 pages per minute (ppm) with consistent, vibrant, artifact-free color prints
  - 6 second first page out color prints
  - Up to 512 Mbytes of RAM
- Flexible paper handling
  - Standard 525-Sheet Feeder main tray
  - Standard 100-Sheet Multi-Purpose Tray
  - Two optional 525-Sheet Feeders
  - Accommodates a wide range of media types
- Wide variety of productivity features
  - High quality color
  - Easy to replace ink sticks
  - PhaserSMART online troubleshooting
  - CentreWare IS provides an embedded web server to help manage, configure, and troubleshoot the printer from your computer.
  - Usage Analysis Tool provides cost tracking that logs each job and the cost for each page.
  - PrintingScout provides on-screen notification and guidance if the printer needs help.
  - MaiLinX email notifies a specific person when supplies or maintenance are needed.
  - MaiLinX allows printing to your network printer from anywhere you have email.

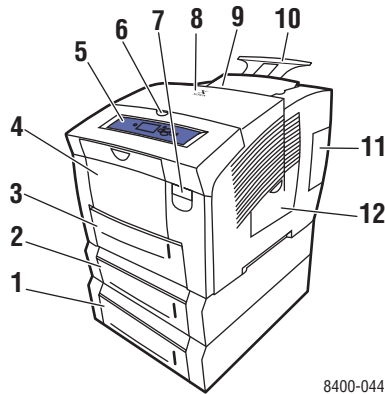
## Available Configurations

The Phaser 8400 Color Printer has five configurations:

Features	Printer Configuration				
	8400B	8400BD	8400N	8400DP	8400DX
Maximum Print Speed	24	24	24	24	24
Memory (Mbytes) Up to 512 Mbytes Optional	128	256	128	256	256
Hard Drive	No	Optional	Optional	Optional	Standard
PostScript Fonts	Yes	Yes	Yes	Yes	Yes
PCL Fonts	Yes	Yes	Yes	Yes	Yes
Japanese Fonts*	Optional	Optional	Optional	Optional	Yes
Job Pipelining	No	Yes	No	Yes	Yes
Automatic 2-sided Printing	Optional	Standard	Optional	Standard	Standard
Tray 1–100-Sheet Multi-Purpose Tray	Standard	Standard	Standard	Standard	Standard
Tray 2–525-Sheet Feeder	Standard	Standard	Standard	Standard	Standard
Tray 3–525-Sheet Feeder	Optional	Optional	Optional	Optional	Standard
Tray 4–525-Sheet Feeder	Optional	Optional	Optional	Optional	Optional
USB, Parallel Connection	Standard	Standard	Standard	Standard	Standard
10/100 Ethernet Connection	No	No	Standard	Standard	Standard

\*Japanese fonts are provided for applicable countries per special licensing requirements.

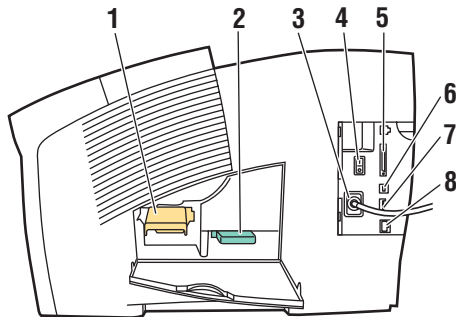
## Front View



8400-044

1. Optional 525-Sheet Tray 4
2. Optional 525-Sheet Tray 3
3. Standard 525-Sheet Tray 2
4. 100-Sheet Multi-Purpose Tray 1
5. Front panel
6. Exit cover release
7. Front cover release
8. Exit cover
9. Ink loader/Top cover
10. Legal/A4 output tray extension
11. Interface cover
12. Side door

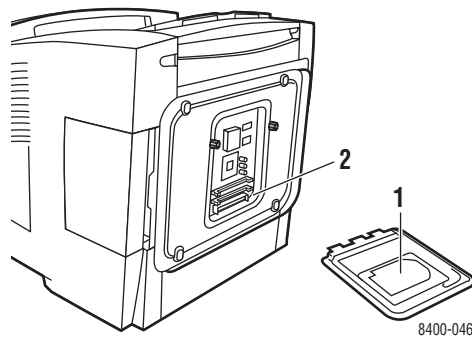
## Side View



8400-045

1. Maintenance kit
2. Waste tray
3. Power cord connection
4. Power switch
5. Parallel cable connection
6. USB connection
7. Configuration card
8. Ethernet 10/100 Base-T connection

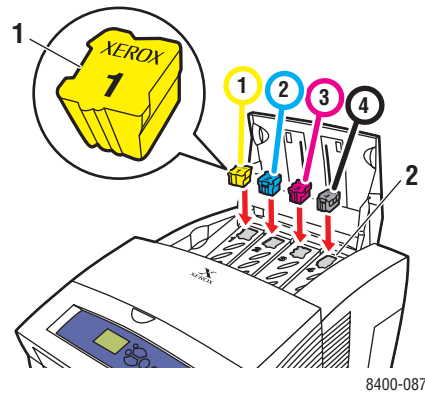
## Back View



8400-046

1. Optional hard drive
2. Two RAM slots

## Top View



1. Ink
2. Ink bin

## Printer Options and Upgrades

Options and upgrades are available for the Phaser 8400 printer.

### Options

- Two RAM slots, supporting 128 Mbytes and 256 Mbytes memory cards
- Two 525-Sheet Feeders
- Internal hard drive

### Upgrades

- Phaser 8400B to 8400BD
- Phaser 8400B to 8400N
- Phaser 8400N to 8400DP
- Phaser 8400N to 8400DX
- Phaser 8400DP to 8400DX

For more information on printer options and upgrades, go to [www.xerox.com/office/8400supplies](http://www.xerox.com/office/8400supplies).

## Color

Xerox Phaser color printers embody 20 years of printing experience. While different models are optimized for tasks, such as fast, easy, office printing or complex, large format graphic arts applications, all Phaser color printers share important characteristics that contribute to the Xerox reputation for color image quality.

Solid ink printers provide superior color print quality. This is achieved by the unique printing process of solid ink technology, as well as the Phaser printer controller. Working in unison with advanced printer driver software, your printer incorporates capabilities, such as custom color tables for color accuracy. The proprietary TekColor correction applies the best color correction mode to each element on the page. This results in bright, vivid colors in solid fill areas, good detail in photographs, and crisp text.

Your printer also uses True Adobe PostScript 3 for the most accurate page rendering and image quality. Together, these features combine to give you consistently high-quality results for a broad range of printing needs.

For more information about color and your printer, go to [Reference/Printing/Using Color](#) on the *User Documentation CD-ROM*.

## Resources

You can obtain information regarding your printer and its capabilities from the following sources:

Information	Source
Setup Guide	Packaged with printer
Quick Reference Guide	Packaged with printer
Warranty	Packaged with printer
Supplies Guide	Packaged with printer
Reference Guide	Packaged with printer ( <i>User Documentation CD-ROM</i> )
Printer Management Tools	<a href="http://www.xerox.com/office">www.xerox.com/office</a>
infoSMART Knowledge Base	<a href="http://www.xerox.com/office/infoSMART">www.xerox.com/office/infoSMART</a>
PhaserSMART	<a href="http://www.phaserSMART">www.phaserSMART</a>
Technical Support	<a href="http://www.xerox.com/office/support">www.xerox.com/office/support</a>
Information Pages	<ul style="list-style-type: none"> <li>■ Front panel</li> <li>■ CentreWare IS</li> <li>■ Printer Driver</li> </ul>